

3D PDF DATASHEET



eCATALOG solutions



BIM catalogs.net



PART solutions



Create Your Individual 3D PDF Datasheet



Learn How to Create Your Mechanical Product Catalog



Learn How to Create Your BIM Product Catalog



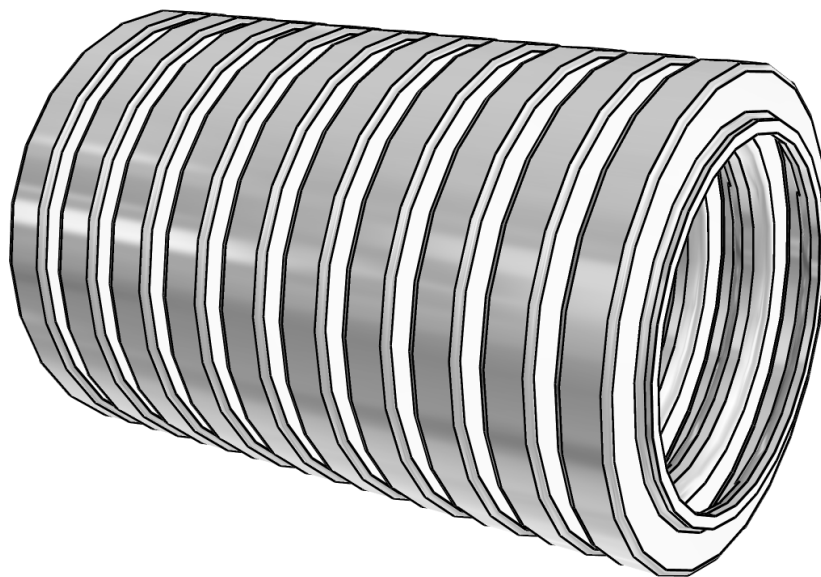
Reduce Your Costs in Engineering and Purchasing



PARFB-17F Corr. Tubing PARFB

3D View

To activate the interactive 3D view, you must trust this document (see hint on the top) in Adobe Acrobat and click on the question mark.



Zoom

Moves you toward or away from objects in the scene when you drag vertically. You can also zoom with the hand tool by holding down Shift as you drag.

Pan

Moves the model vertically and horizontally only. You can also pan with the hand tool: Ctrl-drag.

Rotate

Turns 3D objects around relative to the screen. How the objects move depends on the starting view, where you start dragging and the direction in which you drag.

3D PDF DATASHEET



eCATALOGsolutions



BIM catalogs.net



PARTsolutions



Create Your Individual 3D PDF Datasheet



Learn How to Create Your Mechanical Product Catalog



Learn How to Create Your BIM Product Catalog



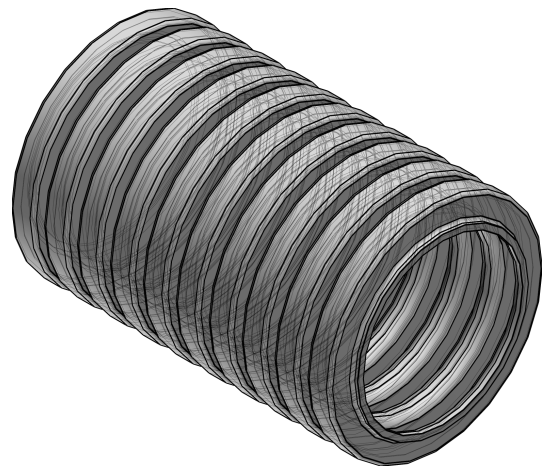
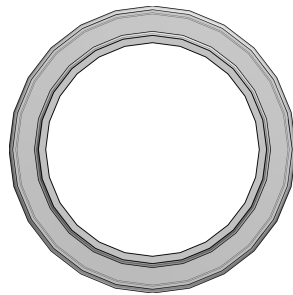
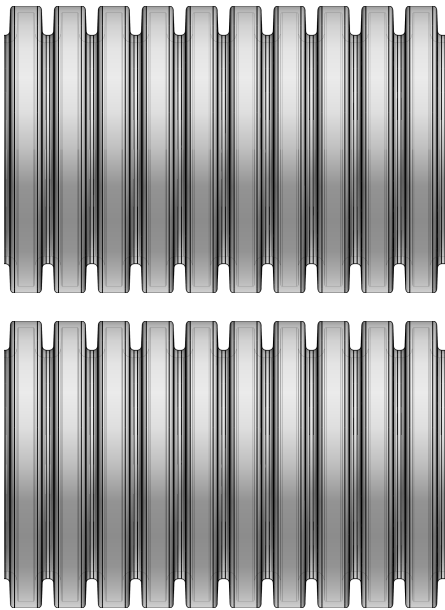
Reduce Your Costs in Engineering and Purchasing



PARFB-17F Corr. Tubing PARFB

2D Derivation

ISO View





eCATALOGsolutions



BIM catalogs.net



PARTsolutions



Create Your Individual 3D PDF Datasheet



Learn How to Create Your Mechanical Product Catalog



Learn How to Create Your BIM Product Catalog

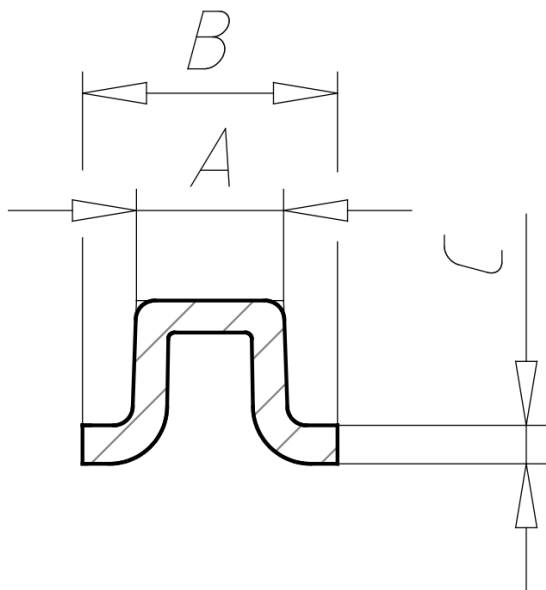
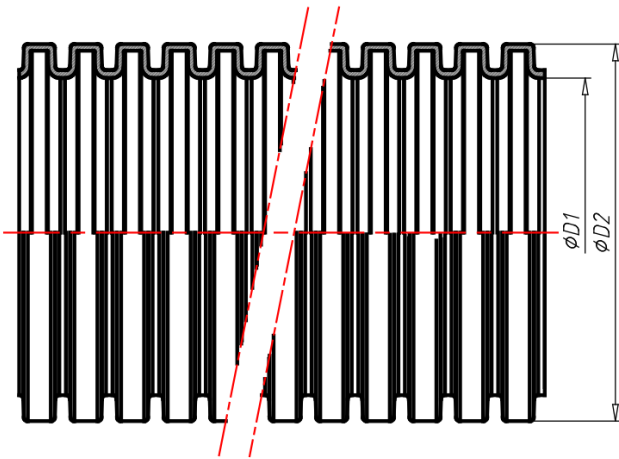


Reduce Your Costs in Engineering and Purchasing



PARFB-17F Corr. Tubing PARFB

Technical Drawings



3D PDF DATASHEET



 eCATALOG solutions



 BIM catalogs.net



 PART solutions



Create Your Individual 3D PDF Datasheet 

Learn How to Create Your Mechanical Product Catalog 

Learn How to Create Your BIM Product Catalog 

Reduce Your Costs in Engineering and Purchasing 



PARFB-17F Corr. Tubing PARFB

Technical Data

INFO (PDF Info)	Data Sheet
FB (Color)	black
NW (Nominal width)	17F
A (Length / mm)	2.3
B (Length / mm)	3.3
C (Height / mm)	≥ 0.50
D2 (Diameter / mm)	21.5
D1 (Diameter / mm)	16
BRS (Bending radius (stat.) / mm)	45
BRD (Bending radius (dyn.) / mm)	100
CNSMASSEXACT (Weight / kg/100m)	8.1
VE (Purch. Unit / m)	50

3D PDF DATASHEET



 eCATALOG solutions



 BIM catalogs.net



 PART solutions



Create Your Individual 3D PDF Datasheet 

Learn How to Create Your Mechanical Product Catalog 

Learn How to Create Your BIM Product Catalog 

Reduce Your Costs in Engineering and Purchasing 



PARFB-17F
Corr. Tubing PARFB

Bill of Materials

N°	Name	Description	Amount
1.1		PARFB-17F	1