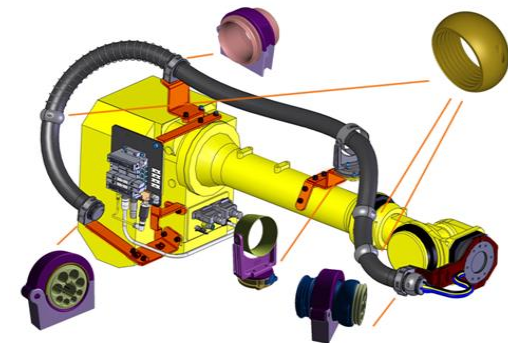
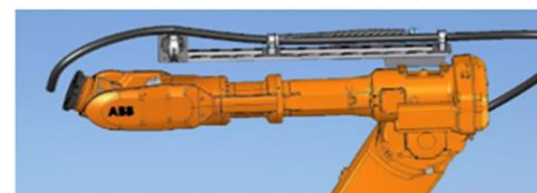
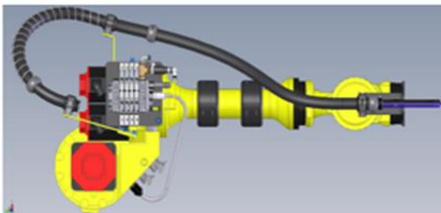


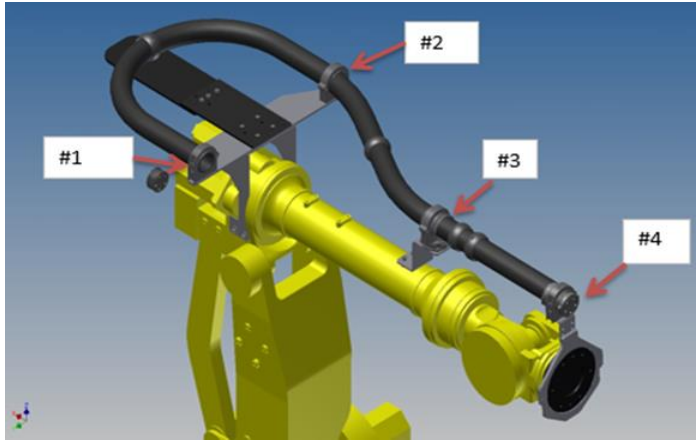
Assembly Area #	Reiku Part #	Part Description	Qty Req'd. Per Robot	Unit of Measurement	Std Pack Qty	36mm I.D. sized Axis 3 to EOAT dressout
1 & 2	PASSB-36S	Conduit Gripping Clamp	2	PC	10	
1	PAKMB-36/36	Inner Combi Middle Jaw Set	1	PC	10	
1 & 4	TKKSB-36	Custom Cablestar/grommett	2	PC	6	
2 & 4	PAPRB-36G	Conduit Protector with screws	2	PC	10	
2	POFHB-36/36	Spring Holder	1	PC	3	
2	DFST-36NEW	Spring	1	PC	3	
3 & 4	PASSB-52M	Conduit Gripping Clamp	1	PC	3	
3	PAGLB-52	Sliding Jaw	1	PC	10	
3	PADFB-42	Rotary Base Flange (Lazy Susan)	1	PC	3	
3 To 4	PADPB-36	Rotary Single Rib Conduit Protector	2	PC	10	
4	PAKGB-52	Ball Joint Jaw Set	1	PC	10	
1 to 4	PARAB-36G	15 million cycle Robotics Conduit	5	MT	15	

REIKU Conduit Available in Minimum 5m Lengths

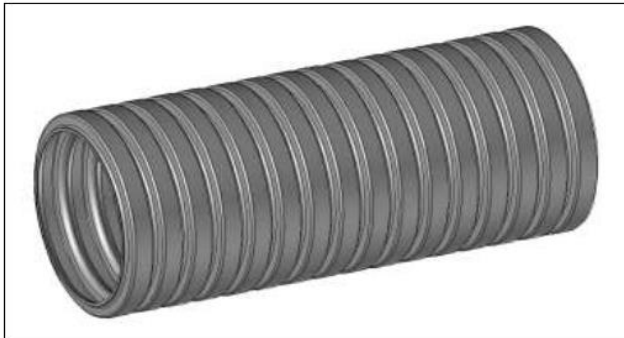
*No mounting hardware is included in this BOM contact a specialist for pricing

* Pictures below are meant to be visual representations of options for potentially installing REIKU Cable Management components.

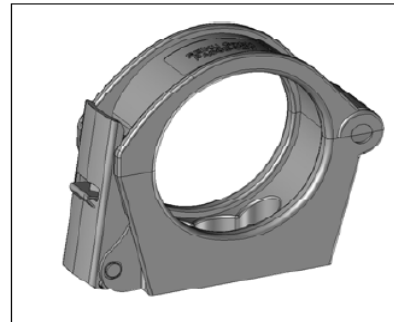




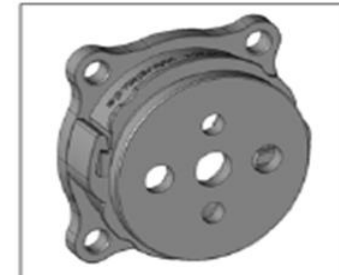
Spannschelle NW36
Gripping Clamp NW36
NW36: **PASSB-36S**



Wellrohr NW36G *Conduit NW36G*



Spannschelle Metallverschluss
Gripping Clamp metal closure
NW52: **PASSB-52M**



Drehflansch
Rotary Base
NW42: **PADFB-42**



Hälfte des Dreh-Protectors
Half of Rotary Protector
NW36: **PADPB-36G**

