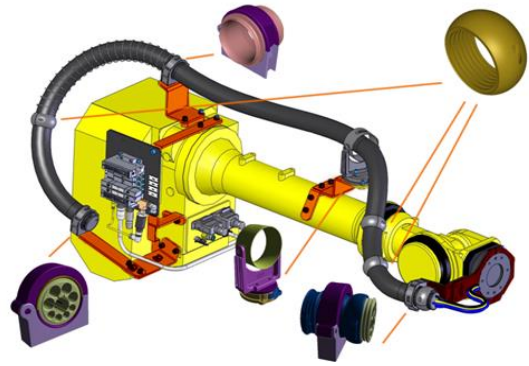
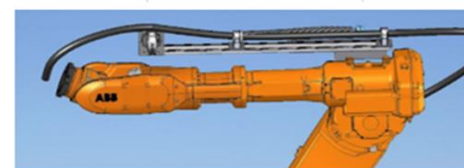
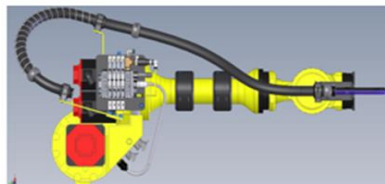


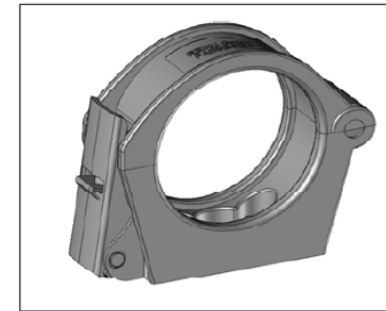
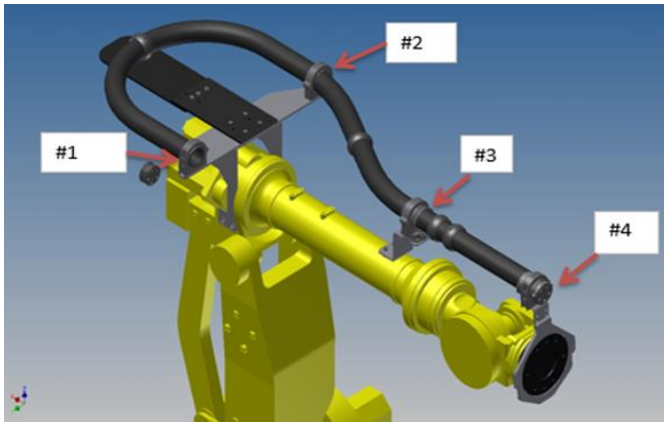
Assembly Area #	Reiku Part #	Part Description	Qty Req'd. Per Robot	Unit of Measurement	Std Pack Qty	52mm I.D. sized Axis 3 to EOAT dressout
1 & 4	PASSB-52M	Conduit Gripping Clamp	2	PC	10	
1	PAMBB-52	Inner Combi Middle Jaw Set	1	PC	10	
1 & 4	TKKSB-52	Custom Cablestar/grommett	2	PC	10	
2	PAPRB-52	Conduit Protector with screws	2	PC	10	
2	PASSB-70M	Conduit Gripping Clamp	1	PC	10	
2	PAFHB-70	Spring Holder	1	PC	10	
2	DFST-5270	Spring	1	PC	10	
3	PATBB-70	Trumpet Jaw	1	PC	10	
3	PADGB-70	Rotary Fork	1	PC	10	
3	PADFB-70	Rotary Base Flange (Lazy Susan)	1	PC	10	
4	PAVGB-52	Connection Joint	1	PC	10	
4	PADPB-52	Rotary Single Rib Conduit Protector	2	PC	10	
1 to 4	PARAB-52	15 million cycle Robotics Conduit	5	MT	30	

REIKU Conduit Available in Minimum 5m Lengths

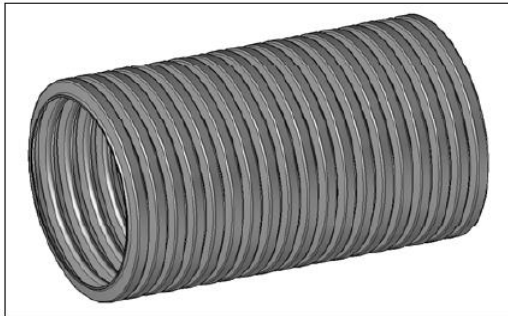
*No mounting hardware is included in this BOM contact a specialist for pricing

* Pictures below are meant to be visual representations of options for potentially installing REIKU Cable Management components.

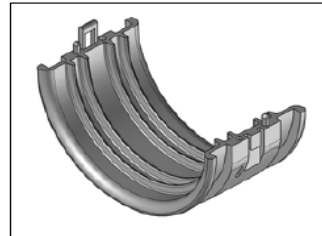




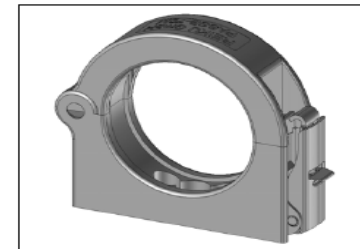
Spannschelle Metallverschluss
Gripping Clamp metal closure
NW52: **PASSB-52M**



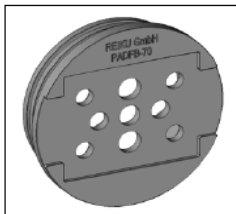
Wellrohr NW52G Conduit NW52G



Hälfte der Mittelbacke
Half of Middle Jaw
NW52: **PAMBB-52**



Spannschelle Metallverschluss
Gripping Clamp metal closure
NW70: **PASSB-70M**



Drehflansch NW70
Rotary Base NW70
NW70: **PADFB-70**

